

Technical Specifications

Full HD Compact Bullet IP Camera

FOR INTERNAL/EXTERNAL APPLICATIONS

- Full HD 1080p 30fps
- H.264 and MJPEG compression
- True Day/Night and WDR
- Built-in IR illuminator with 20m (66ft) viewing distance
- Burnt-in Text, Video Motion Detection
- Embedded VCA Technology Video Analytics
- MicroSD/SDHC memory card slot
- Power over Ethernet (IEEE 802.3af)



CAMERA		Noise Filter	Supported (0 ~ 3)
Model	VCA6802: Standard version (DC12V, PoE, I/O Terminals)	Defogging	Supported
Image Sensor	SONY EXMOR 1/2.9" 1080p CMOS	Smart Bitrate Control	Supported (It works in VBR mode)
Effective Pixels	1920 x 1080	Exposure Adjustment	+1.0, +0.6, +0.3, 0, -0.3, -0.6, -1.0 EV
Scanning System	Progressive scanning	White Balance	ATW1 / ATW2 / Push / Manual
AGC Control	Auto	Back Light Compensation	On(possible to designate zone) / Off
Auto IRIS (DC)	-	Flicker Control	Normal, 50Hz, 60Hz
Minimum Illumination	Color: 1.0Lux / B/W : 0 Lux (IR LED On)	DSS (Sens-up)	2X ~ 16X
Lens	4.3mm, F2.0	Video Stabilization	Supported
Angle of View	Horizontal: Approx. 74.4° Vertical: Approx.40.8°	Burnt-in Text	Time stamp and text caption overlay
Shutter Time	1/10,000s to 1/2s	Privacy Mask	4 configurable regions
Day & Night	True Day & Night (Removable IR-cut filter)	Analogue Output	-
Wide Dynamic Range	Digital WDR	AUDIO	
Focus Assist	Supported	Audio Streaming	-
		Audio Compression	-
		Audio input / output	-
IR ILLUMINATOR		NETWORK	
IR LED	High Power IR LED x 8 (850nm)	Ethernet Standard	10 / 100 Base-T
IR working distance	Max. 20m	IP	IPv4, IPv6
SMART IR	Supported (Automatically adjust the infrared light to the best, according to the brightness of the scene)	Protocol	QoS Layer 3 DiffServ, TCP/IP, UDP/IP, HTTP, HTTPS, FTP, RTSP, RTCP, RTP/UDP, RTP/TCP, mDNS, UPnP™, SMTP, DHCP, DNS, DynDNS, NTP, SNMPv1/v2c/v3(MIB-II), IGMP, ICMP, SSLv2/v3, TLSv1, SRTP, RTMP
VIDEO		Security	HTTPS(SSL), IP Filtering, Multi-level access with password protection
Video Compression	H.264 Baseline, Main, High profile(MPEG-4 Part 10/AVC), MJPEG(Motion JPEG)	Users	Live viewing for up to 10 clients
Video Streaming	Dual Stream, Configurable streams in H.264, MJPEG H.264: Controllable frame rate, bandwidth(VBR/CBR) MJPEG: Controllable frame rate, JPEG quality	INTEGRATION	
Resolutions	16:9 mode	Application Programming Interface	Software Development Kit(SDK) available
	4:3 mode	ONVIF Compliance	Profile S, Profile G
Frame Rate	H.264: Max 30fps in all resolution MJPEG: Max 30fps in all resolution	Event Sources	Sensor(DI);Alarm(DO) Video Motion Detection; Face Detection; Tamper Detection; Video Content Analytics(VCA); Network Loss/Detect; Network Setting Change; Time(Recurrence/Schedule); Storage Error
Image Settings	Configurable brightness, contrast, saturation, sharpness		
Image Orientation	Flip / Mirror / Corridor Mode(-90°, +90°)		

Technical Specifications

Event Actions	File upload: E-mail, FTP Notification: E-mail, FTP, HTTP, TCP Trigger-Alarm Recording Event Log Saving
Event Metadata Streaming (RTSP/RTP)	Video Motion Detection(MD); Video Content Analytics(VCA)

GENERAL	
Material	Aluminum Die-Casting; Ivory
External I/O Terminals	1x Alarm In, 1x Alarm Out
Language on webpage	Korean, English, Chinese
Power Source / Consumption	DC 12V, PoE / 6W @ DC 12V
Operating conditions	Humidity up to 85% RH (non-condensing) [DC12V] -20°C ~ 50°C (-4°F ~ 122°F); [PoE] -20°C ~ 50°C (-4°F ~ 122°F)
Approvals	FCC, CE, KC, IP66, UL
Weight	600g (1.32 lbs)
Dimensions (W x H X D)	76mm x 73.5mm 235mm (3.0" x 2.9" x 9.3")

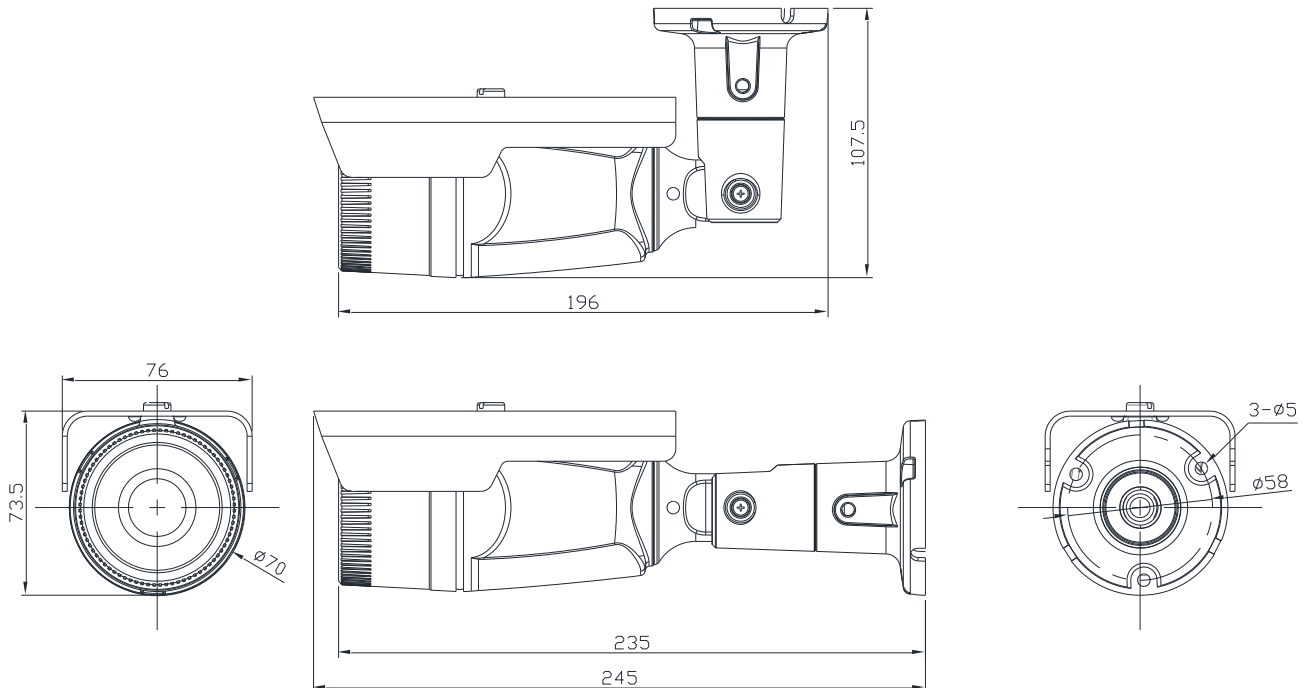
EDGE STORAGE	
Storage	1 x microSD memory card slot(SD/SDHC up to 32GB, card not included)*
Recording Types	Continuous Recording or Event Recording
Continuous Recording	Instant recording; Search & Download
Event Recording	Search of Event Logs; Playback; Download

VIDEO ANALYTICS	
Analytics Engine	VCA Technology's advanced tracking algorithm with rich library of detection behaviors
Detection Zones and Rules	40 zones (Multi-segment Polygons and Lines) in total 60 rules in total
Tamper Detection	Supported
Auto Tracking	-
VCA Preset	-

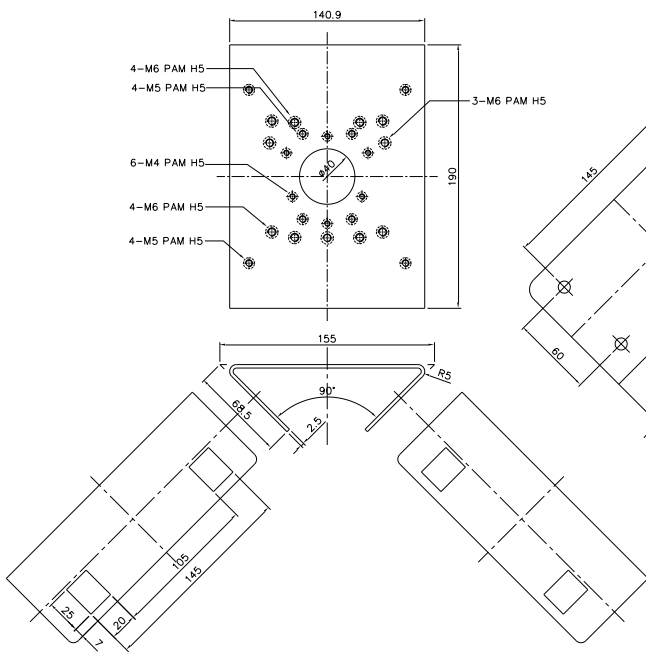
VIDEO ANALYTICS (Optional Features)	
Detection Behavior	Enter, Exit, Appear, Disappear, Stop, Direction, Dwell filter; Tailgating; Color Filter
Logical Rules	Extends standard rules to allow various combinations of the inputs
3D Behavior	Perspective Corrected Size and Speed Filters
Object Classification	Configured Max./Min. object sizes and Max./Min. speeds
People Tracking	Tracks individuals separately among overlapped multiple people
Counting Line	High accuracy people and vehicle counting
Counting	20 counters in total
Counter Report	Generates counter reports based on the counter database
Heatmap Report	Shows relative crowd density of the 24 hour period (criterion: midnight)
Meta Data	Plain XML Format

Dimensions

(Unit: mm)

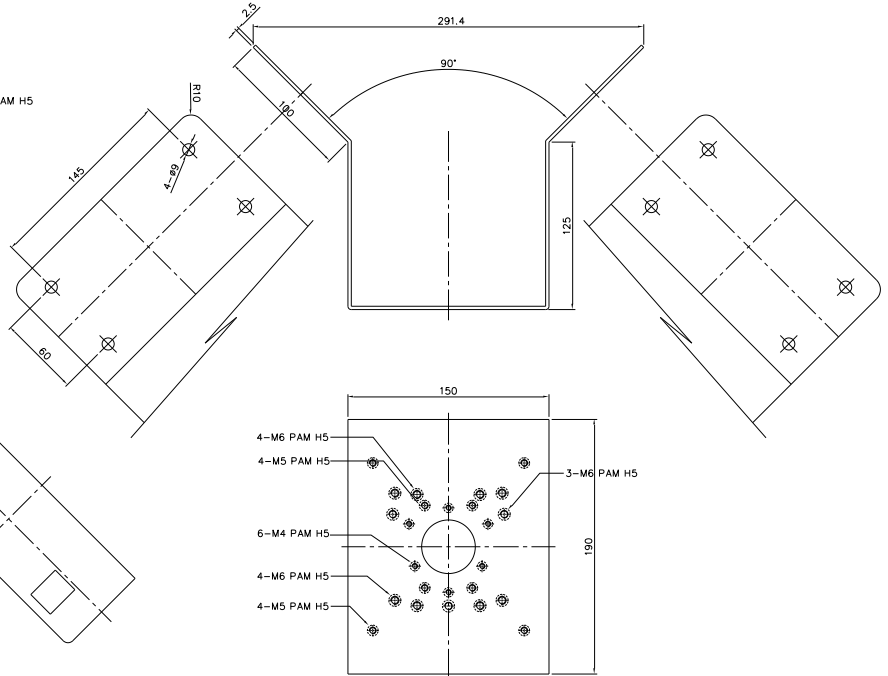


Accessories



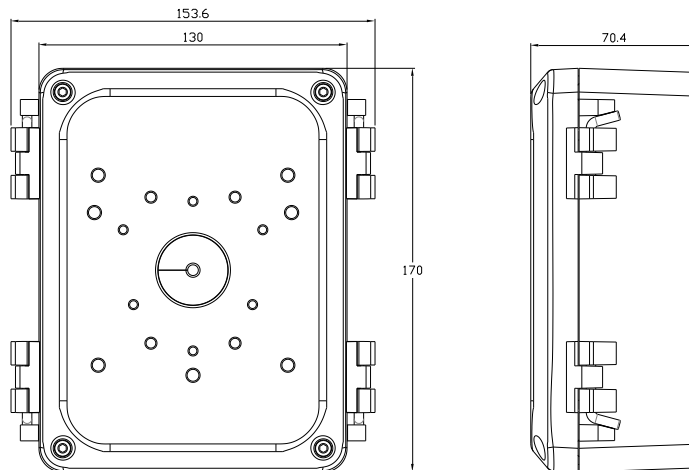
Pole Mount Adaptor

Model: PMA-U100
Weight: 946g (2.1lb)



Corner Mount Adaptor

Model: CMA-U100
Weight: 2,283g (5.0lb)



Junction Box Kit

Model: JBK-U100
Weight: 1,011.5g (2.2lb)

Americas

VCA, Inc.

4700 Innovation Dr.
 Unit B3, Fort Collins
 Colorado 80525, USA
 Tel: +1-970-206-0750
 Email: info@vcatechnology.com

Europe

VCA Technology Ltd

Trident Court, 1 Oakcroft Rd.
 Chessington, Surrey
 KT9 1BD, UK
 Tel: +44-20-3044-2884
 Email: info@vcatechnology.com

China

VCA Technology (Wuxi) Ltd

3F, Bldg. A10, No.777 Jianzhu Rd.
 Wuxi, Jiangsu
 214062, China
 Tel: +86-510-8589-8076
 Email: info@vcatechnology.com

Korea

UDP Technology Ltd.

4F, Woolim Blue 9 Bldg.
 583, Yangcheon-ro, Gangseo-Gu
 Seoul 07547, Korea
 Tel: +82-2-2605-1486
 Email: info@vcatechnology.com



www.vcatechnology.com