

PixelPro Network Camera 5 Megapixel Bullet Serie



PixelPro AI

Features:


- Deep Learning based AI capable
- Fine tuned ISP (Image Signal Processor)
- H.265 Multiple profile streaming support
- Various bitrate control: CBR/ VBR/ VBR+
- Plug & Play with PixelMaster NVR
- ONVIF profile S support
- IP66 with aluminum Die-casting case
- P-IRIS type AF (MFZ) lens

AI Features

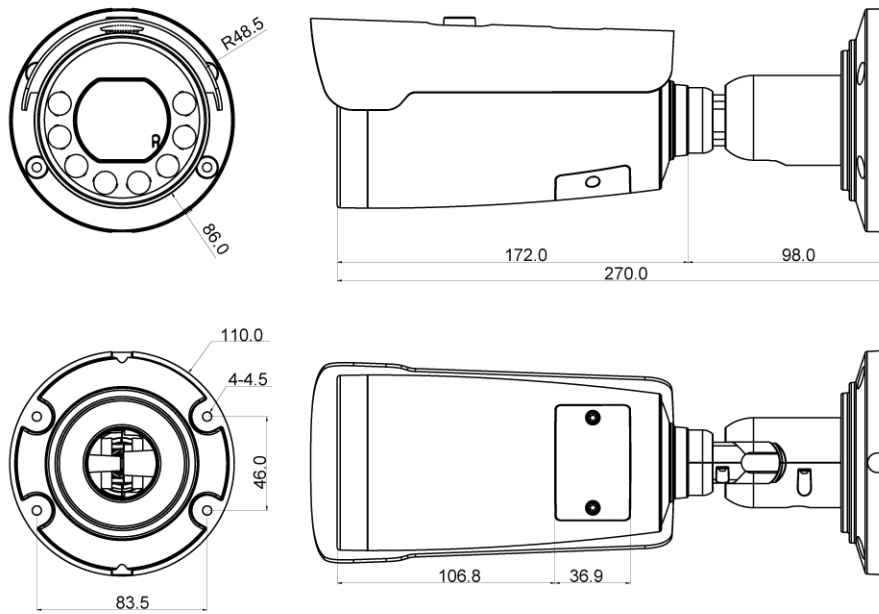
- Human detector
- Object detector & tracker
- LPR
- Various Behavior Recognition based on customization

GANZ® SPECIFICATIONS

SPECIFICATION

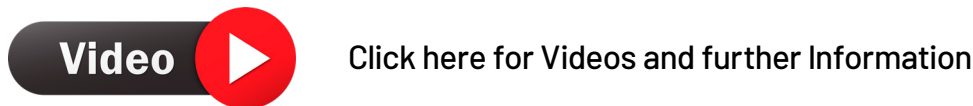
Model	ZNP-B5M212DP
	
Image sensor	1/2.8" CMOS Progressive scan
Effective pixel	2592x1944
Min. Illumination	Color: 0.003 Lux @ F1.4, AGC on
IR distance	~30m
Day & Night	Auto (ICR) / Color / B/W / Schedule
Pan / Tilt / Rotation	360° / 90° / 360°
Focal Length / Focus	2.8 ~ 12mm / Auto
Aperture	F1.4 ~ F2.8
Iris	P-Iris
FoV	95.9/67.3/123.7 ~ 29.8/22.3/36.51 (TBD)
Video Compression	H.264 / H.265
Video Frame rate	2592x1944 25fps
Video Bit rate	H.264: 512 ~ 15.000Kbps H.265: 512 ~ 15.000Kbps
Video Bit rate control	CBR / VBR / VBR+
BLC	Yes
3DNR	Yes
WDR	Yes, TWDR (120dB)
DFog	Yes
AI Watcher	Virtual Line, Enter/Exit zone, Appear/Disappear, Tampering
White balance	ATW / Manual
Audio compression	G.711
Network	10/100Mbps
Protocol	IPv4, IGMP, ICMP, ARP, TCP, UDP, DHCP, RTP, RTSP, RTCP, DNS, DDNS, NTP, FTP, UPnP, HTTP, HTTPS, SMTP, 802.1x
Compatibility	ONVIF (Profile S), CGI
Management software	DMS
Alarm In/Out	1 / 1
Audio In/Out	1 / 1
Storage	microSD
Power supply	PoE / DC12V / AC24V
Power consumption	12.41W
Operating conditions	-20°C ~ 50°C / 0%~90%
Ingress Protection	IP66
Vandal Resistance	-
Dimensions	ø86.0mm x 270.0mm
Net weight	1.1kg
Gross weight	1.4kg

DIMENSIONS (unit:mm)



Licence Overview

License	Prerequisite	Description
ZNS-AI-A00	Included	Algorithm optimized for the differentiation of persons and objects
ZNS-AI-A01	Included	Object tracking
ZNS-AI-A05	-	Vehicle recognition and differentiation of cars, buses, trucks, bicycles, motorcycles
ZNS-AI-A06	-	Identification of animals, refined by deep learning
ZNS-AI-A09	-	Fire detector
ZNS-AI-A11	-	Detection of persons without / with safety vest
ZNS-AI-B00	-	Evaluate and send events
ZNS-AI-B01	-	Pixelation of persons
ZNS-AI-C00	-	Vehicle number plate recognition
ZNS-AI-D00	-	Recognising people who have fallen
ZNS-AI-D01	-	Behavioural recognition "violence"
ZNS-AI-D02	-	Remote object detection
ZNS-AI-D03	-	Detection for appearing object

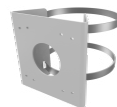


COMPATIBLE WITH:



ACCESSORY

Model	ZA8-JBMP-2	ZA8-CBK627B
Typ	Junction Box	Pole Mount Adapter



Subject to technical changes and errors. 072020 v1.3

CBC (Europe) GmbH
Fritz-Vomfelde-Str. 6
D-40547 Düsseldorf
T: +49-(0)211 53 06 70
F: +49-(0)211 53 06 71 80
info@cbc-europe.com
www.cbc-europe.com

CBC (Poland) Sp.z.o.o.
Oddział w Warszawie
ul. Anny German 12
PL-01-794 Warsaw
T: +48-(0)22 6 33 90 90
F: +48-(0)22 6 33 90 60
info@cbcpoland.pl
www.cbcpoland.pl

CBC Russia Moscow Rep. office
Office 503B World Trade Center
12 Krasnopresnenskaya nab.
RU-123610 Moscow
T: +7-495 258 2161
F: +7-495 258 2160
info@cbc.ru
www.cbc.ru

CBC EUROPE S.r.l.
Via Umberto I, 69
I-20814 - VAREDO (MB)
T: +39-0362 36 50 79
F: +39-0362 4 00 12
info@cbceurope.it
www.cbceurope.it

CBC (EUROPE) GmbH UK Branch
Churchill House, Suite 81
137-139 Brent Street
London NW4 4DJ UK
T: +44-(0)20 8457 2618
info@cbcuk.com
www.cbc-europe.com